

**PRODUCT DATASHEET**

# OXY-SEN™

Percent Oxygen Monitor



FEATURES	BENEFITS
State-of-the-Art Sensor Technology	Expected life upwards of 3-4 years
Acid Gas Resistant Sensor	Operates in harsh environments
Low Cost of Acquisition	Priced at just over \$1k
Excellent Speed of Response	Responds instantaneously to changes in O <sub>2</sub>
Certification	CE
Factory Calibration	Factory calibration and certificate included at no additional charge

## Product Description

The OXY-SEN™ Percent Oxygen Monitor is an economically priced monitoring system with a standard measuring range of 0-100%. Comes equipped with dual 4-20 mA DC recorder outputs that are scaled over 0-100% and 0-25%. The instrument features an extended life, ambient temperature electrochemical sensor that is extremely resistant to a variety of acid gases including carbon dioxide. The front panel has an easy to read, 3-1/2 digit liquid crystal display. Input power to the OXY-SEN is 115/230 VAC, 50-60 Hz or 24 VDC. The OXY-SEN can be wall/panel mounted or used as a bench-top device.

The OXY-SEN was designed primarily for applications where the user prefers to mount the gas diffusion end of the sensor through a chamber, glove box, reactor, etc.

The diffusion end of the sensor has a threaded stock, providing an easy and convenient way of installing the sensor through the wall of a chamber, glove box, etc. by simply drilling and tapping an appropriately sized hole. Ten feet of coiled interconnecting sensor cable is supplied with each OXY-SEN Oxygen Monitor.

For gas tight integrity, the extended-life sensor is equipped with an "O" ring that helps to form a gas-tight seal. Using a threaded sensor eliminate the need to use sample pumps, air driven aspirators, etc. to provide sample to the sensor.

Optional flow through sensor housing is available for applications where external sampling is required.

---

## SPECIFICATIONS

### Performance

<b>Measurement Range:</b>	0-100% oxygen (gas phase)
<b>Measurement Error:</b>	±1% of full scale (at 77°F and 29.92" Hg)
<b>Linearity:</b>	±1% of full scale
<b>Response Time:</b>	90% of full scale in under 30 seconds
<b>Sensor Type:</b>	Long-life ambient temperature electrochemical
<b>Temperature Compensation:</b>	Standard
<b>Operating Temperature Range:</b>	40° to 104°F (5° to 40°C)
<b>Warranty:</b>	2 years on electronics, 1 year on sensor

---

### Electrical

<b>Display:</b>	3-1/2 digit liquid crystal display
<b>Input Power:</b>	115/230 VAC, 50-60Hz or 24VDC
<b>Analog Output:</b>	4-20 mA DC scaled over 0-100% O <sub>2</sub> and 0-25% (Optional): O <sub>2</sub> (selectable by connector position).

## Sample Gas Characteristics

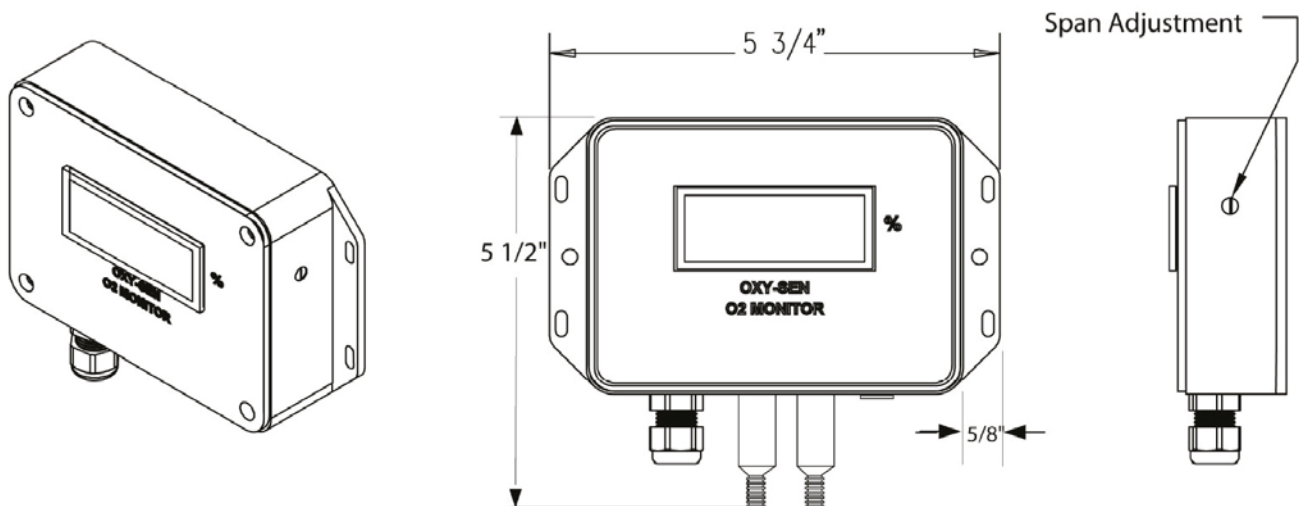
<b>Storage Temperature Range:</b>	40° to 104°F (5° to 40°C)
<b>Sample Gas Pressure Limits:</b>	< 2 psig (0.14 kg/cm <sub>2</sub> )

---

## Construction

<b>Dimensions of Electronics:</b>	5-3/4 in.(146.05 mm) width
<b>Enclosure*:</b>	5-1/2 in.(139.70 mm) height 1-1/4 in.(31.75 mm) depth
<b>Dimensions of Sensor:</b>	1.85 in.(47 mm) height 0.9 in.(22.86 mm) depth
<b>Thread depth:</b>	0.29 in.(7.34 mm) (exclusive of O-ring)
<b>Thread size:</b>	M16 X 1
<b>Weight (with 10' of sensor cable):</b>	< 2 lbs (<0.907 kg)

\* Note: All dimensions are without optional equipment



Outline dimensions

## GAIN REAL-TIME INSIGHT INTO YOUR PROCESS

Process Insights manufactures and delivers premium sensors, monitors, detectors, analyzers, instrumentation, and software that are mission-critical to keep your operations, personnel, and the environment safe – every day across the globe.

Get the most reliable, precision analytical technologies available on the market today. We will work to match your needs and budget, and provide the optimal, and most stable process analysis solution for your application.

---

## CENTERS OF EXCELLENCE | PROVIDING PROVEN SOLUTIONS

Process Insights is committed to solving our customers' most complex analytical, process, and measurement challenges everyday.

### Process Insights – The Americas

4140 World Houston Parkway Suite 180, Houston, TX 77032, USA +1 713 947 9591

### Process Insights – EMEA

ATRICOM, Lyoner Strasse 15, 60528 Frankfurt, Germany +49 69 20436910

### Process Insights – APAC


Wujiang Economic and Technology, Development Zone, No. 258 Yi He Road, 215200 Suzhou, Jiangsu Province, China +86 400 086 0106

---

For a complete range of products, applications, systems, and service options, please contact us at: [info@process-insights.com](mailto:info@process-insights.com)

For a complete list of sales & manufacturing sites, please visit: <https://www.process-insights.com/about-us/locations/>

COSA Xentaur, Tiger Optics, Extrel, Alpha Omega Instruments, ATOM Instrument, MBW Calibration, MGA, Guided Wave, ANALECT and LAR TOC Leader are trademarks of Process Insights, Inc.



REVOLUTIONIZING MEASUREMENT

**EVERYWHERE**