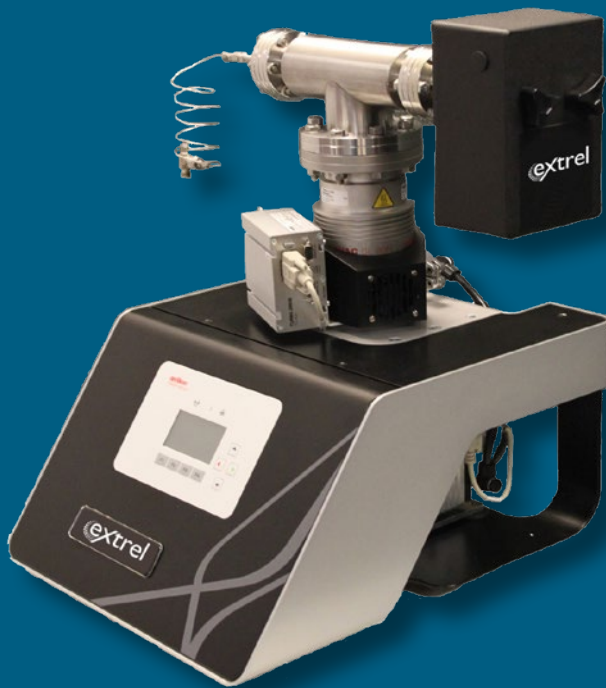


PRODUCT DATASHEET

MAX-CAT™

Laboratory Gas Analyzer



Fast Response

Process Control

**Stable
Measurement**

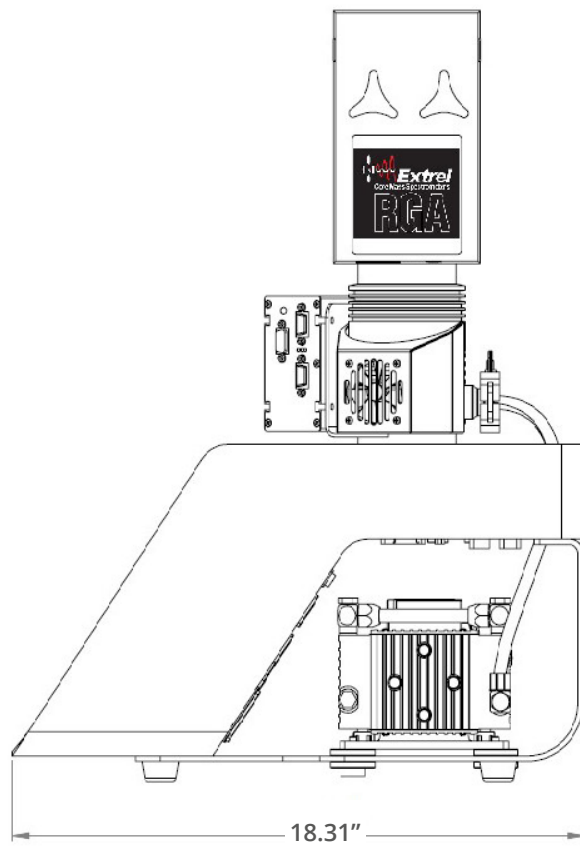
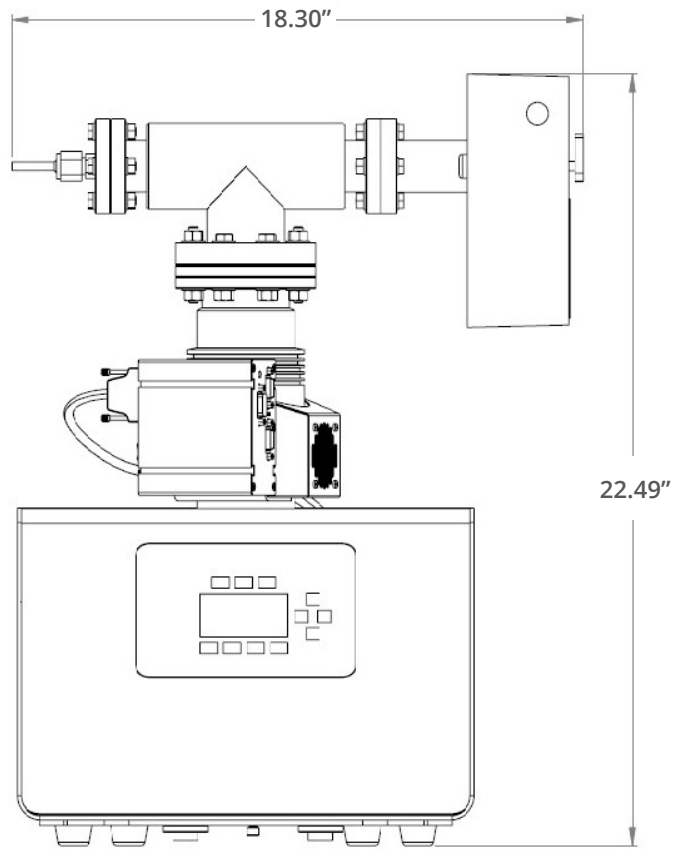
- Real-Time Gas Analysis
- Catalysis
- Reaction Monitoring
- Environmental Research

SPECIFICATIONS

System Highlights:	
Detectable compounds	Any gas or vapor sample
Detection range	Faraday/electron multiplier - Analysis range: 1×10^{-6} - 5×10^{-13} Torr (100% - 0.5 ppm)* - Low detection limit: 5×10^{-14} Torr (50 ppb)**
Analysis rate	Up to 1000 measurements per second
Gas consumption	10 μ L/min
Heated inlet option available	
Ionization energy control for reduced fragmentation	
Software	- VacuumPlus control software, standard - Questor5 upgrade, optional
Computer interface	RS-232C or USB
Filaments	Two, one active and one spare - Over-pressure protection provided by built-in Pirani and BA gauges
Mass range options	1-100, 1-300 amu
6 mm quadrupole mass filter	
Weight	55 lbs. (25 kg)
Power supply	110/230 VAC, 50/60 Hz
Dimensions (L x W x H)	465 x 465 x 571 mm
Standard inlet length	50 cm

* Documented on trace benzene in air.

** Based on the analysis of 1% argon.



GAIN REAL-TIME INSIGHT INTO YOUR PROCESS

Process Insights delivers premium analytical sensors, analyzers, instrumentation, software and solutions that are mission-critical to keep your operations, personnel, and the environment safe. Our commitment to customer satisfaction is evident through our diverse range of products, programs, and services, designed to accommodate various budgets and application needs.

CENTERS OF EXCELLENCE | PROVIDING PROVEN SOLUTIONS

Process Insights – The Americas

14400 Hollister Street, Suite 800B, Houston, TX 77066, USA +1 713 947 9591

Process Insights – EMEA

ATRICOM, Lyoner Strasse 15, 60528 Frankfurt, Germany +49 69 20436910

Process Insights – APAC

Wujiang Economic and Technology, Development Zone, No. 258 Yi He Road, 215200 Suzhou, Jiangsu Province, China +86 400 086 0106

For a complete range of products, applications, systems, and service options, please contact us at: info@process-insights.com

For a complete list of sales & manufacturing sites, please visit: <https://www.process-insights.com/about-us/locations/>

